



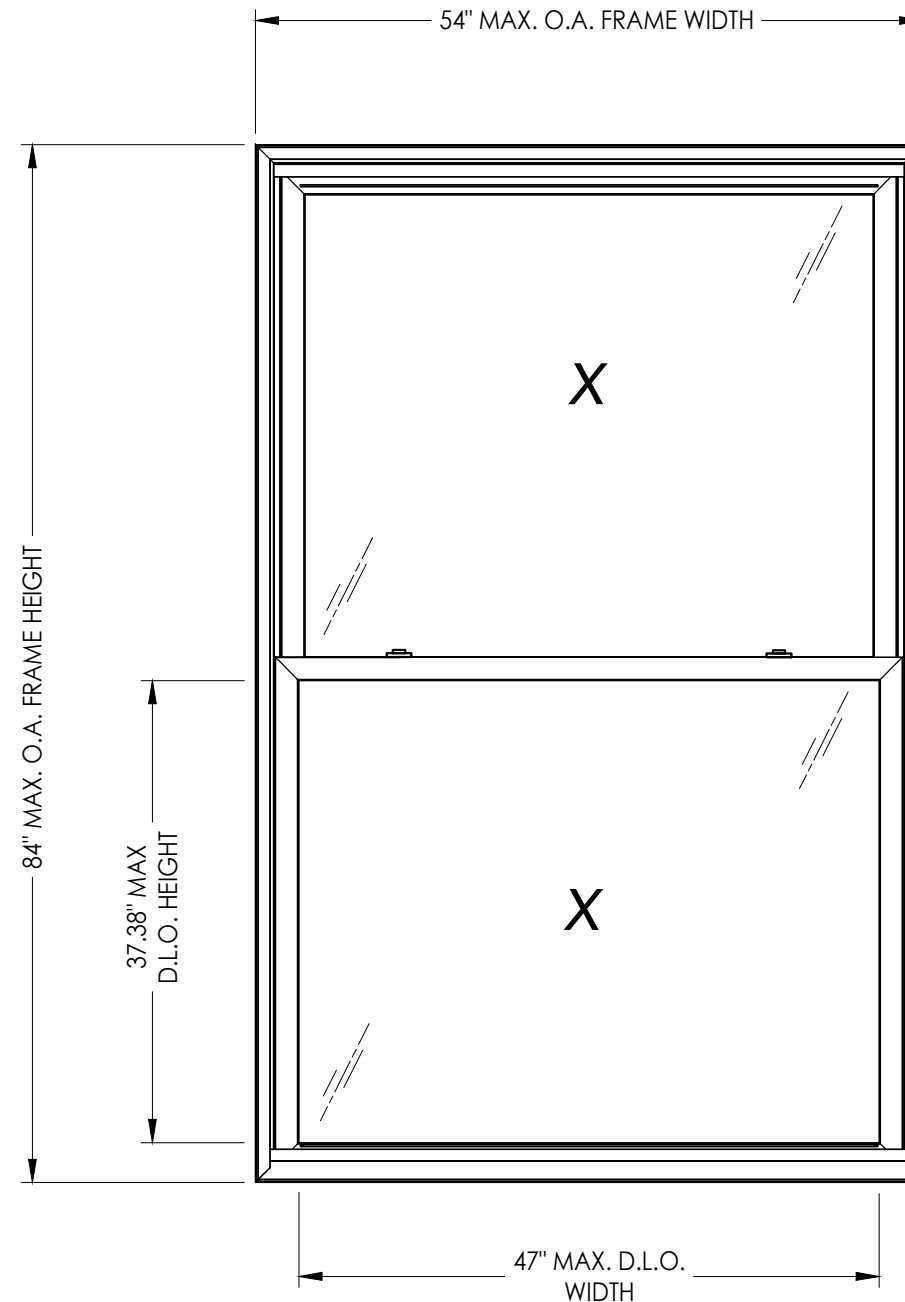
250 Staunton Turnpike, Parkersburg, WV 26104

# 8400 Series Vinyl Double Hung Window "NON-IMPACT"

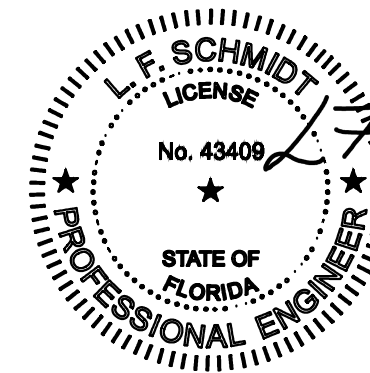
### GENERAL NOTES

1. This product has been evaluated and is in compliance with the 8th Edition (2023) Florida Building Code (FBC) structural requirements excluding the "High Velocity Hurricane Zone" (HVHZ).
2. Product anchors shall be as listed and spaced as shown on details. Anchor embedment to base material shall be beyond wall dressing or stucco.
3. When used in areas requiring wind borne debris protection this product is required to be protected with an impact resistant covering that complies with FBC Sections 1609.1.2 & R301.2.1.2.
4. For 2x stud framing construction, anchoring of these units shall be the same as that shown for 2x buck masonry construction.
5. Site conditions that deviate from the details of this drawing require further engineering analysis by a licensed engineer or registered architect.

TABLE OF CONTENTS	
SHEET #	DESCRIPTION
1	Typical elevations, design pressures and general notes
2	Horizontal cross sections
3	Vertical cross sections
4	Buck and frame anchoring
5	Components
6	Bill of materials, components & glazing details



MAX. FRAME DIMENSION	MAX. D.L.O. DIMENSION	GLASS TYPE	DESIGN PRESSURE (PSF)	
			POSITIVE	NEGATIVE
48.0" X 72.0"	41.0" X 31.38"	G1	+60.0	-65.0
54.0" X 84.0"	47.0" X 37.38"	G1	+50.0	-50.0
54.0" X 76.0"	47.0" X 33.38"	G2	+65.0	-70.0



This item has been digitally signed and sealed by L. F. Schmidt, P.E. on the date adjacent to the seal. Printed copies of this document are not considered signed and sealed and the signature must be verified on any electronic copies.

THIS PRODUCT APPROVAL IS VALID ONLY FOR THE STATE OF FLORIDA

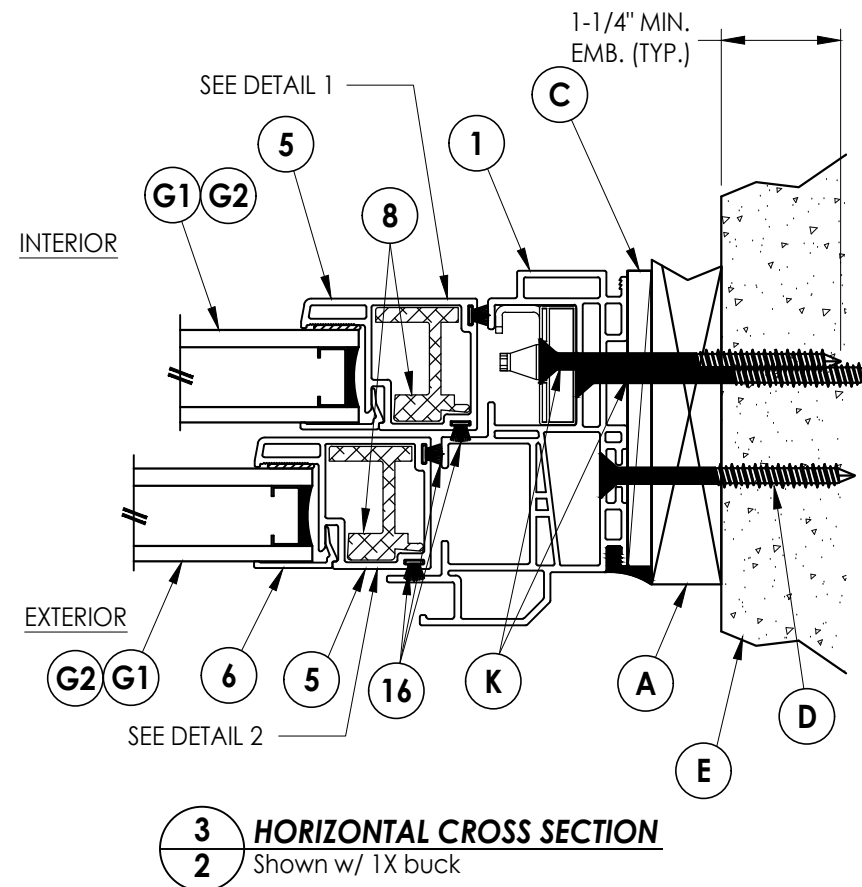
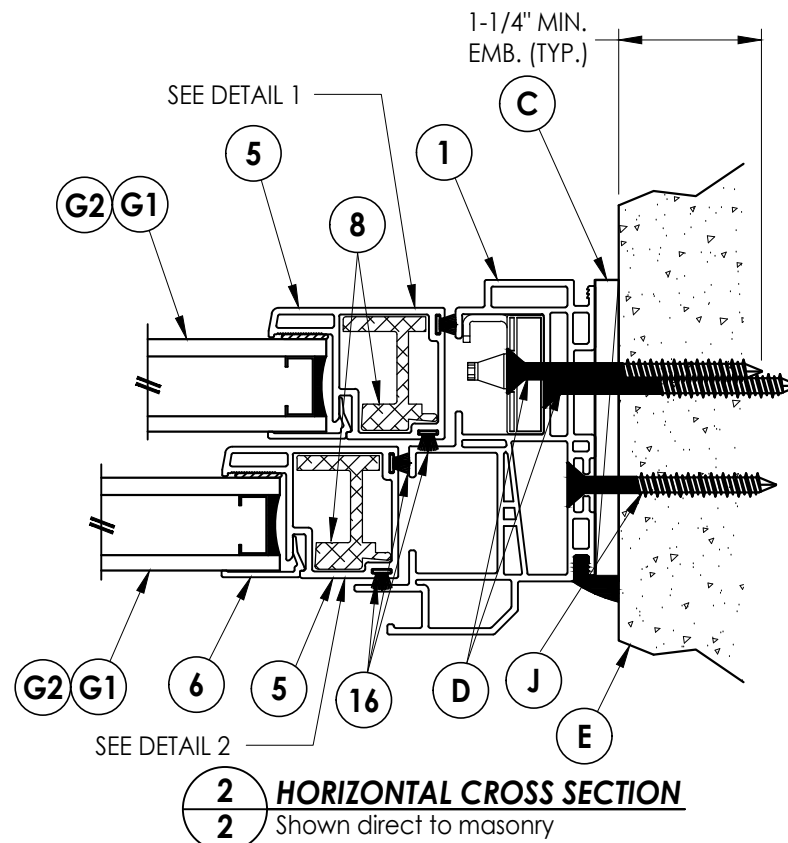
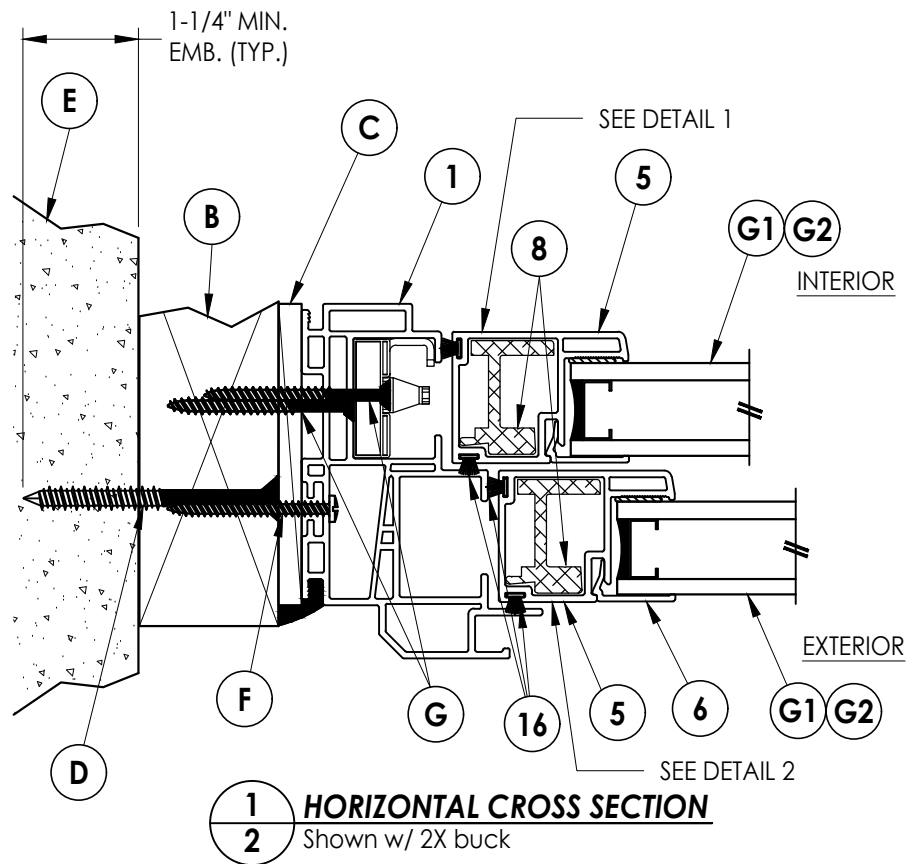
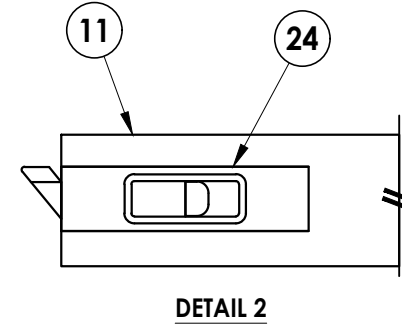
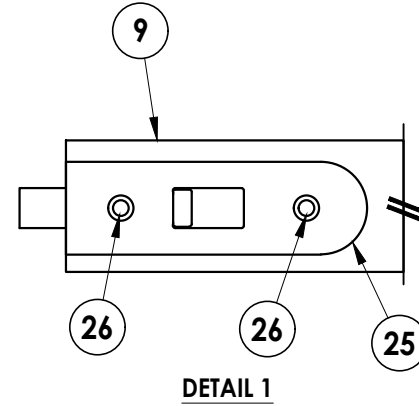
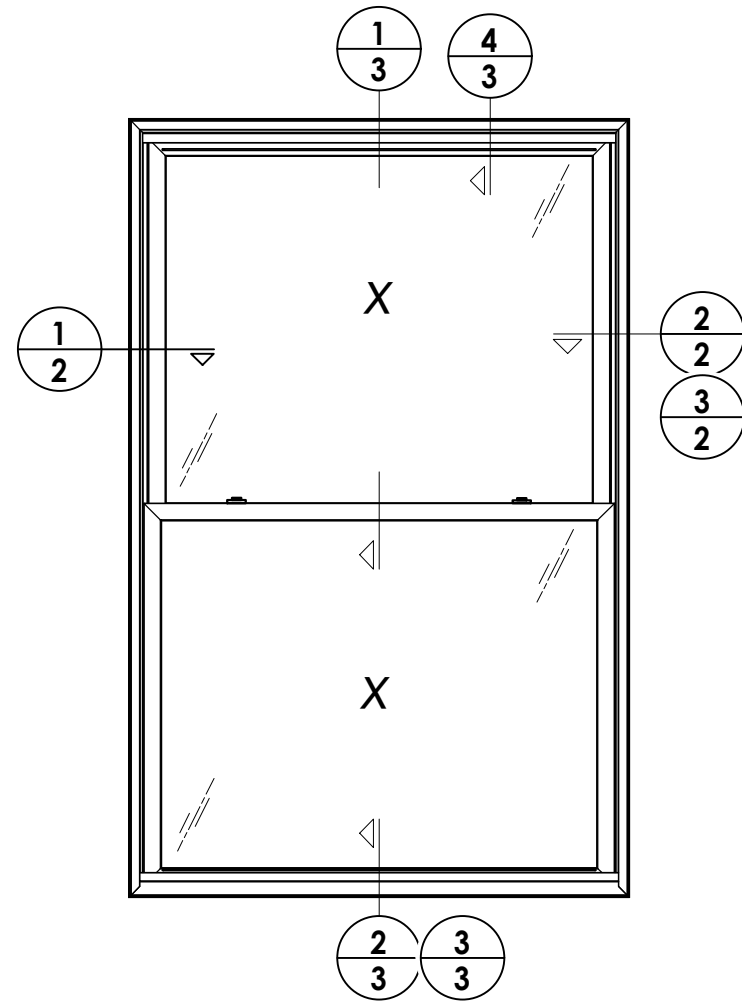
Documents Prepared By:  
Lyndon F. Schmidt  
P.E. No. 43409

*RW* BUILDING CONSULTANTS, INC.  
P.O. Box 230, Valrico, FL 33595  
Phone No.: 813.659.9197  
FBPE Registry No. 9813

PRODUCT: 8400 SERIES Vinyl Double Hung Window  
PART OR ASSEMBLY: TYPICAL ELEVATION, DESIGN PRESSURES & GENERAL NOTES

NO.	DATE	REVISIONS
5	7/06/23	UPDATE TO 8TH ED. (2023) FBC LFS
4	7/02/20	UPDATE TO 7TH ED. (2020) FBC LFS
3	6/01/17	UPDATE TO 6TH ED. (2017) FBC LFS
2	1/27/15	UPDATE TO 5TH ED. (2014) FBC LFS
1	4/02/13	UPDATE FRAME SIZE/DP/GLZ LFS

DATE: 8/2/12  
SCALE: N.T.S.  
DWG. BY: JK  
CHK. BY: LFS  
DRAWING NO.: FL-15819.1  
SHEET 1 OF 6



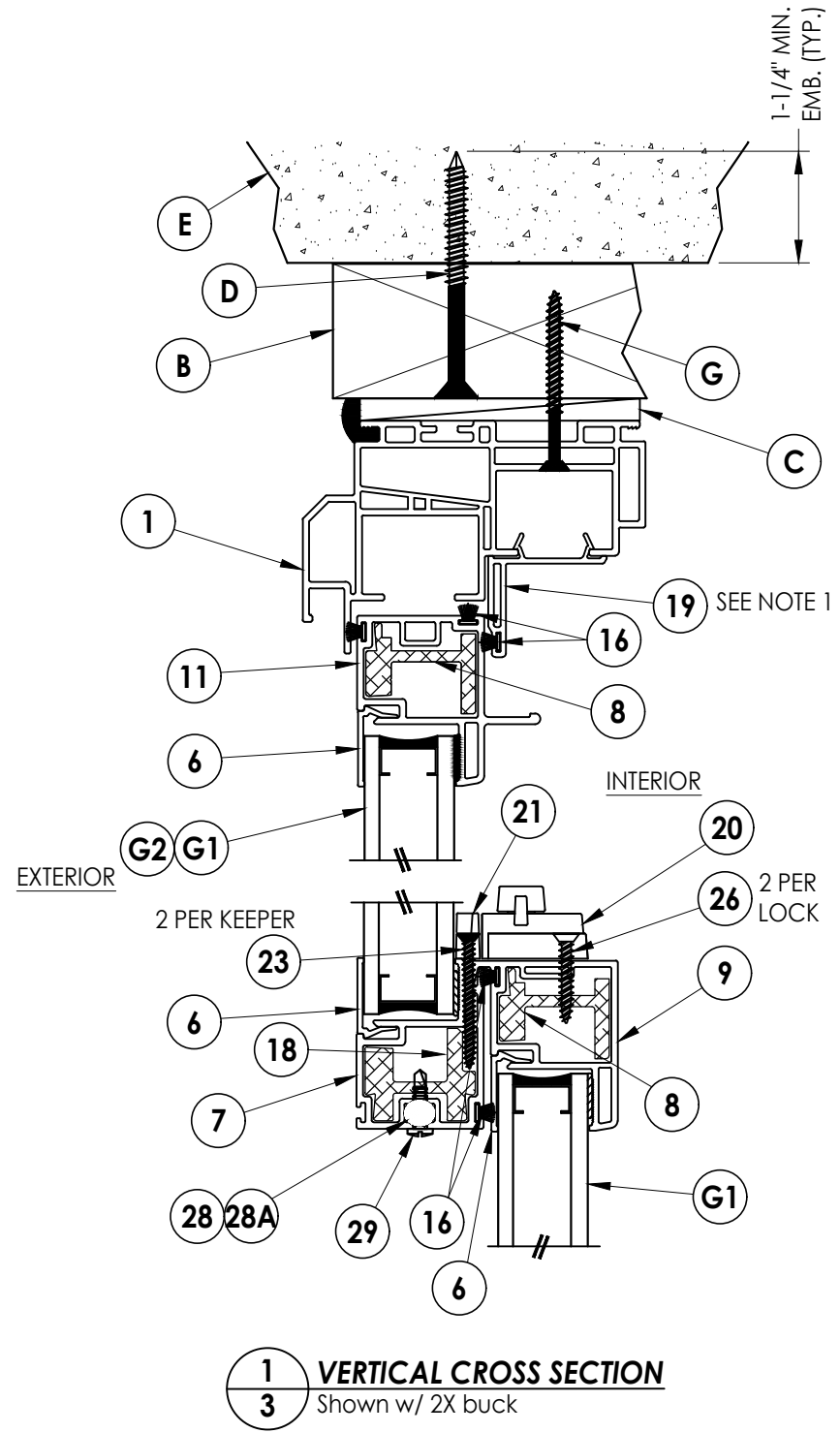
Documents Prepared By:  
Lyndon F. Schmidt  
P.E. No. 43409

**RW** BUILDING CONSULTANTS, INC.  
P.O. Box 230, Vairico, FL 33595  
Phone No.: 813.659.9197  
FBPE Registry No. 9813

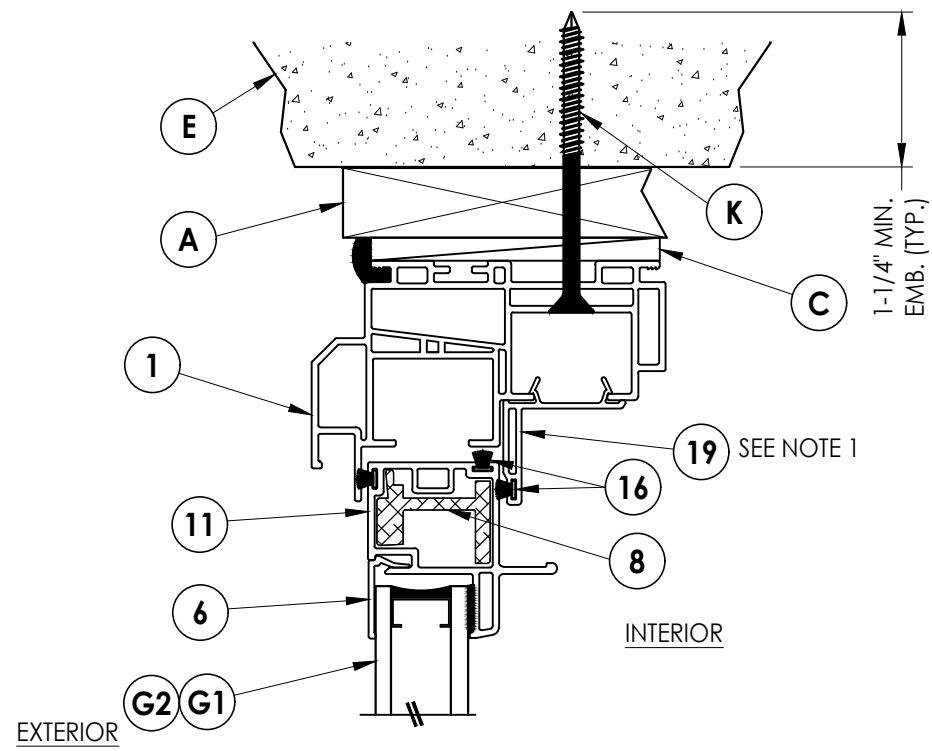
PRODUCT:  
8400 SERIES  
Vinyl Double Hung Window  
PART OR ASSEMBLY:  
HORIZONTAL  
CROSS SECTIONS

NO.	DATE	REVISIONS
5	7/06/23	UPDATE TO 8TH ED. (2023) FBC LFS
4	7/02/20	UPDATE TO 7TH ED. (2020) FBC LFS
3	6/01/17	UPDATE TO 6TH ED. (2017) FBC LFS
2	1/27/15	UPDATE TO 5TH ED. (2014) FBC LFS
1	4/02/13	UPDATE FRAME SIZE/DP/GLZ LFS

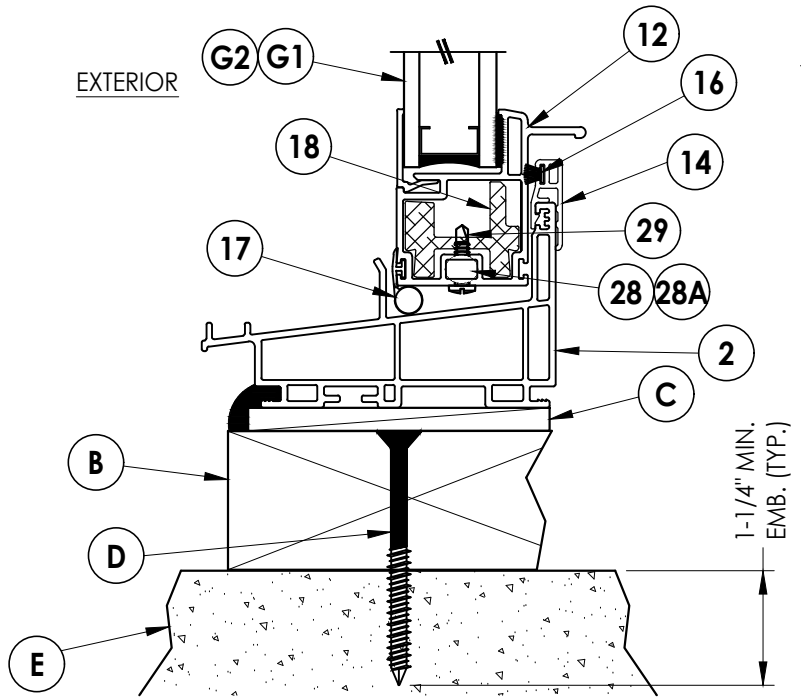
DATE: 8/2/12  
SCALE: N.T.S.  
DWG. BY: JK  
CHK. BY: LFS  
DRAWING NO.: FL-15819.1  
SHEET 2 of 6



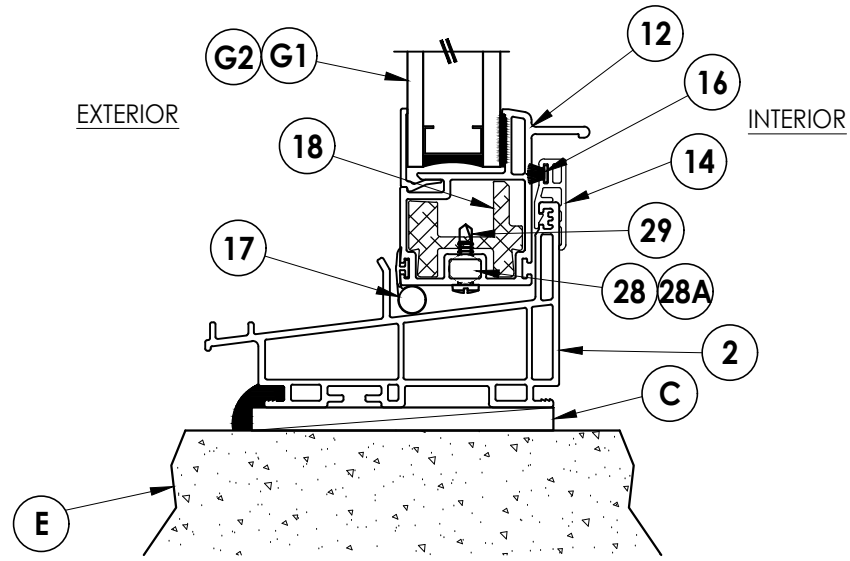
**1**  
**3** VERTICAL CROSS SECTION  
Shown w/ 2X buck



**4**  
**3** VERTICAL CROSS SECTION  
Shown w/ 1X buck



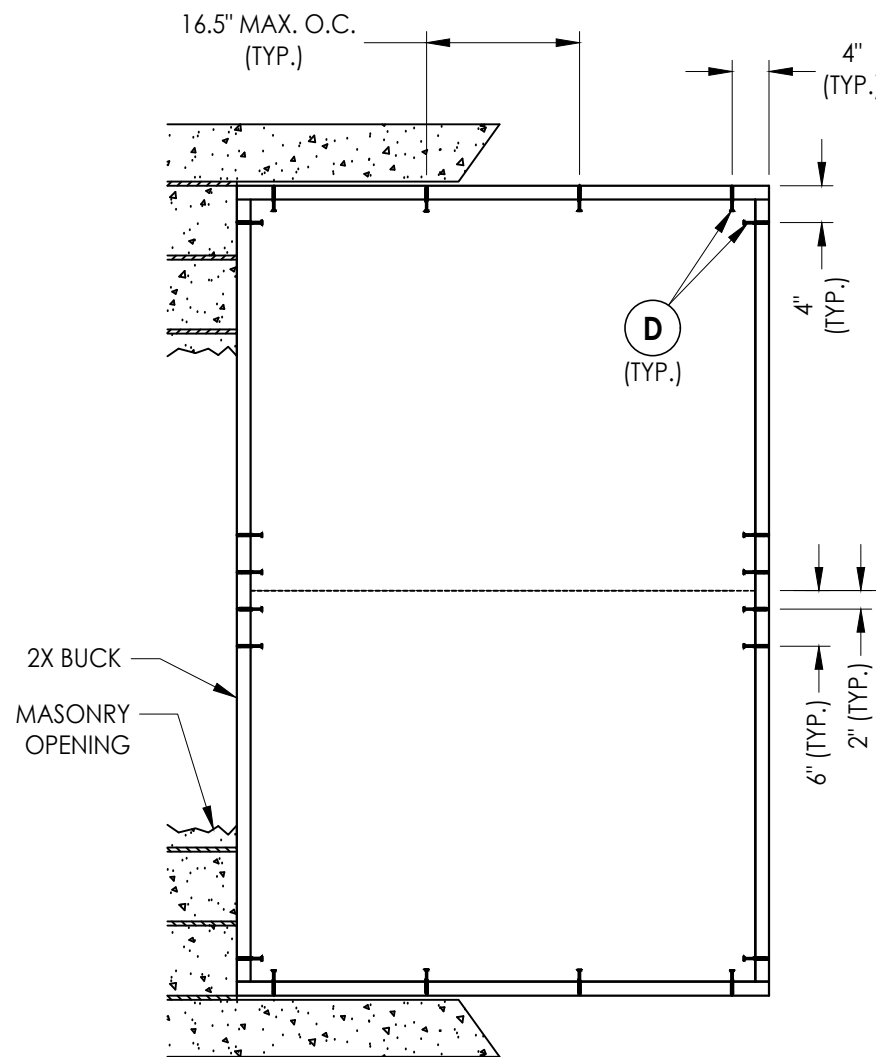
**2**  
**3** VERTICAL CROSS SECTION  
Shown w/ 2X buck



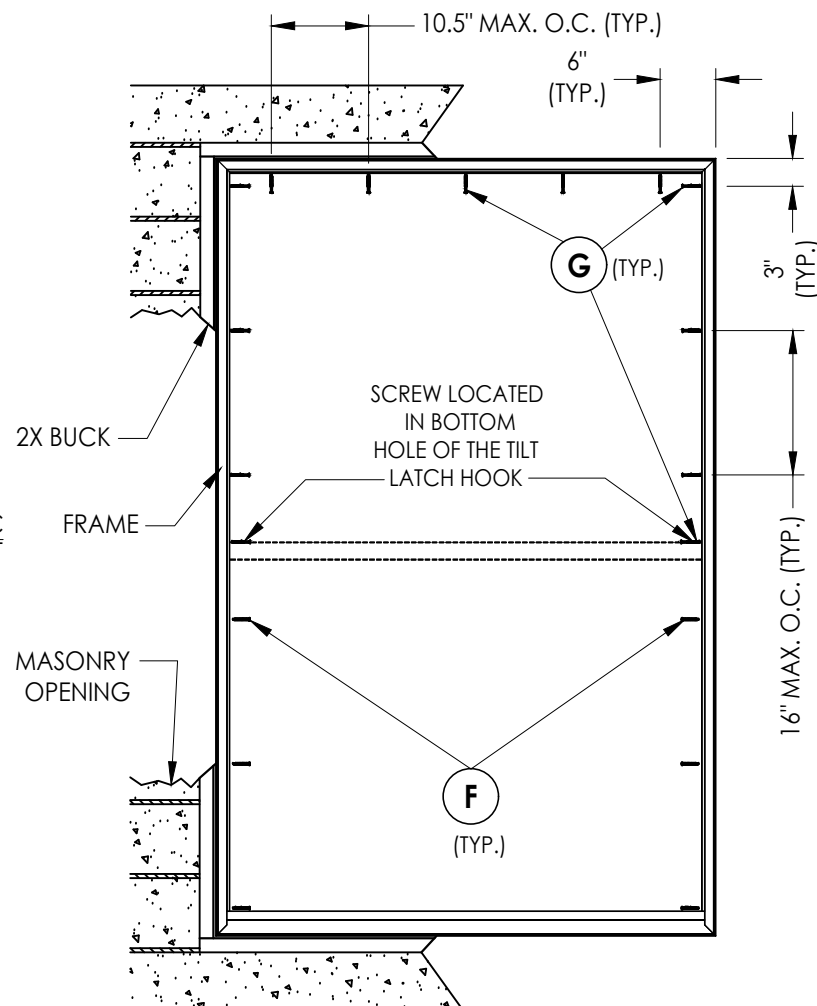
**3**  
**3** VERTICAL CROSS SECTION  
Shown direct to masonry

Note:  
1. Item #19 glued to item #1 frame head with PVC Vinyl Cement.

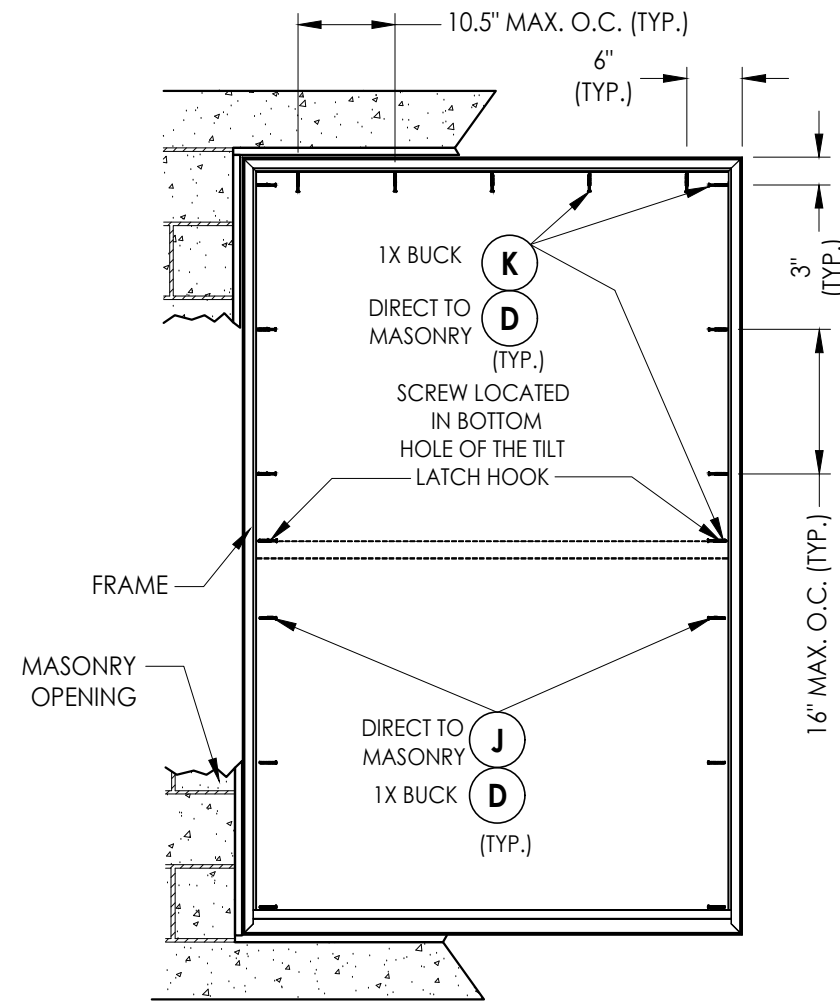
Documents Prepared By: Lyndon F. Schmidt P.E. No. 43409		8400 SERIES Vinyl Double Hung Window		PART OR ASSEMBLY: VERTICAL CROSS SECTIONS	
R.W. BUILDING CONSULTANTS, INC. P.O. Box 230, Valrico, FL 33595 Phone No.: 813.659.9197 FBPE Registry No. 9813		PRODUCT:		REVISIONS	
5	7/06/23	UPDATE TO 8TH ED. (2023)	FBC	LFS	BY
4	7/02/20	UPDATE TO 7TH ED. (2020)	FBC	LFS	
3	6/01/17	UPDATE TO 6TH ED. (2017)	FBC	LFS	
2	1/27/15	UPDATE TO 5TH ED. (2014)	FBC	LFS	
1	4/02/13	UPDATE FRAME SIZE/DP/GLZ		LFS	
	NO.	DATE			
DATE: 8/2/12		SCALE: N.T.S.			
DWG. BY: JK		CHK. BY: LFS			
DRAWING NO.: FL-15819.1		SHEET 3 OF 6			



**BUCK ANCHORING**



**FRAME ANCHORING**  
2X Buck



**FRAME ANCHORING**  
1X Buck  
Direct to masonry

**CONCRETE ANCHOR NOTES:**

1. Concrete anchor locations at the corners may be adjusted to maintain the min. edge distance to mortar joints.
2. Concrete anchor locations noted as "MAX. ON CENTER" must be adjusted to maintain the min. edge distance to mortar joints, additional concrete anchors may be required to ensure the "MAX. ON CENTER" dimensions are not exceeded.
3. Concrete anchor table:

ANCHOR TYPE	ANCHOR SIZE	MIN. EMBEDMENT	MIN. CLEARANCE TO MASONRY EDGE	MIN. CLEARANCE TO ADJACENT ANCHOR
ITW TAPCON®	1/4"	1-1/4"	2"	4"
DeWALT ULTRACON®	1/4"	1-1/4"	1"	4"

**WOOD SCREW INSTALLATION NOTES:**

1. Maintain a minimum 5/8" edge distance, 1" end distance, & 1" o.c. spacing of wood screws to prevent the splitting of wood.

**NOTE:** Frame anchoring screws are located as follows:

Interior track: above the mid-rail  
Exterior track: below the mid-rail

Documents Prepared By:  
Lyndon F. Schmidt  
P.E. No. 43409

PRODUCT: 8400 SERIES  
Vinyl Double Hung Window

PART OR ASSEMBLY:

BUCK AND  
FRAME ANCHORING

NO.	DATE	REVISIONS
5	7/06/23	UPDATE TO 8TH ED. (2023) FBC LFS
4	7/02/20	UPDATE TO 7TH ED. (2020) FBC LFS
3	6/01/17	UPDATE TO 6TH ED. (2017) FBC LFS
2	1/27/15	UPDATE TO 5TH ED. (2014) FBC LFS
1	4/02/13	UPDATE FRAME SIZE/DP/GLZ LFS

DATE: 8/2/12

SCALE: N.T.S.

DWG. BY: JK

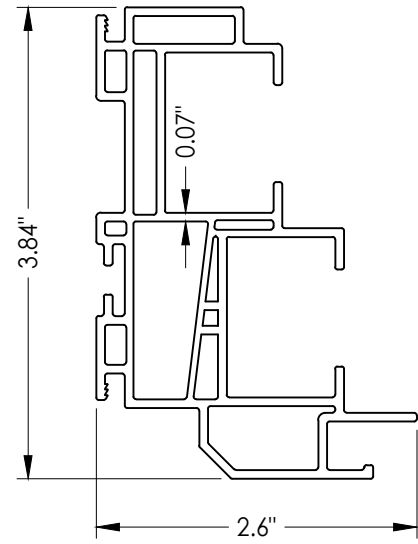
CHK. BY: LFS

DRAWING NO.:

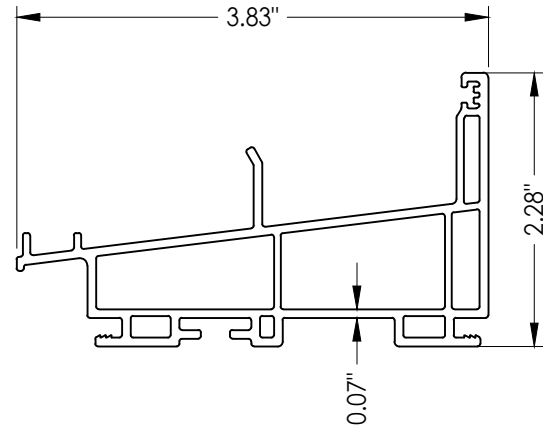
FL-15819.1

SHEET 4 OF 6

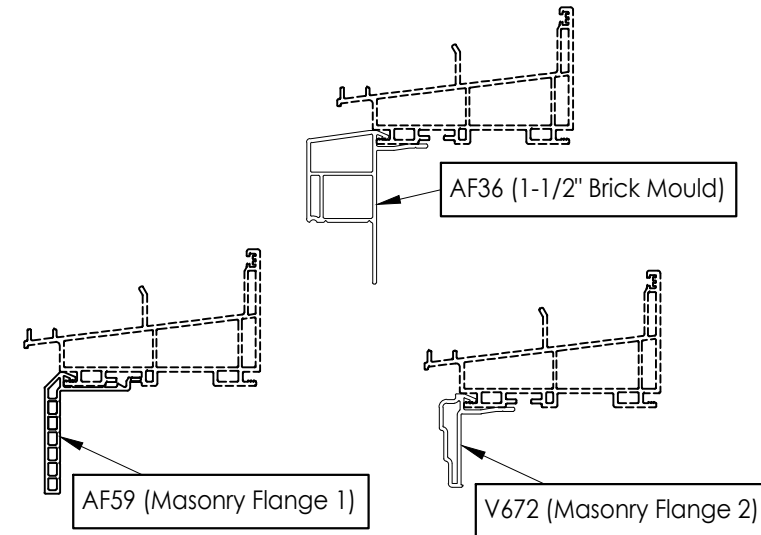
**RW** BUILDING CONSULTANTS, INC.  
P.O. Box 230, Valrico, FL 33595  
Phone No.: 813.659.9197  
FBPE Registry No. 9813



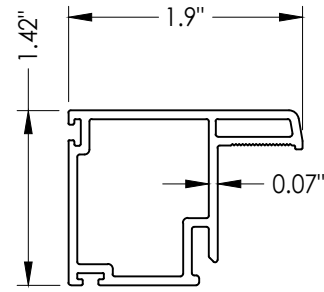
**1** FRAME HEAD & JAMB



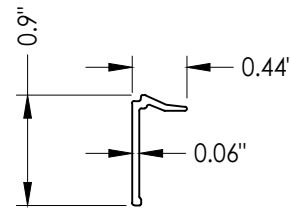
**2** SILL



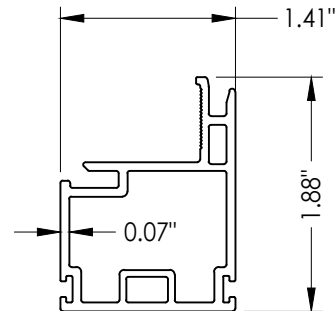
**OPTIONAL COSMETIC FLANGES**



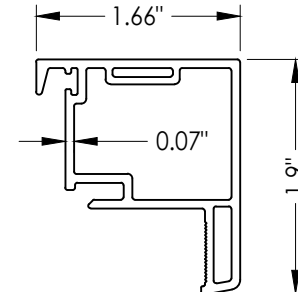
**5** SASH STILE



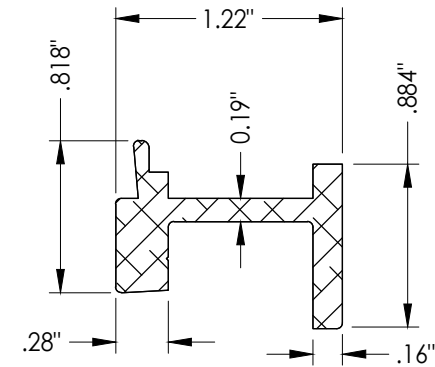
**6** GLAZING BEAD



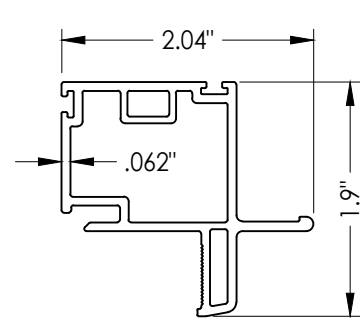
**7** KEEPER RAIL  
Upper Sash



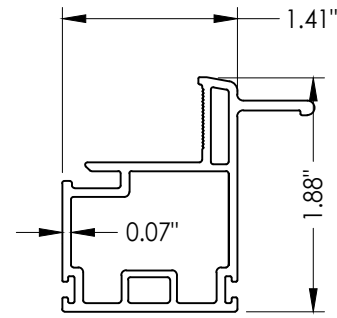
**9** LOCK RAIL  
Lower Sash



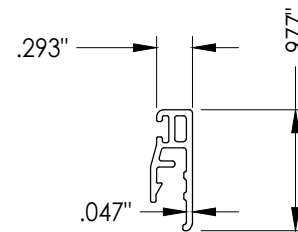
**8** REINFORCEMENT  
Alum.



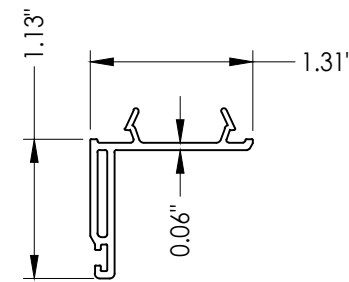
**11** TOP RAIL  
Upper Sash



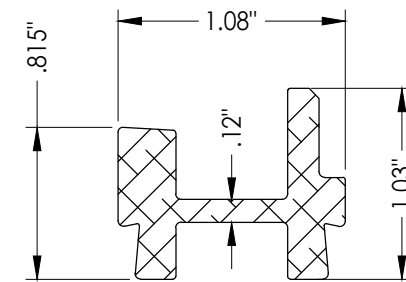
**12** BOTTOM RAIL  
Lower Sash



**14** SILL DAM EXTENDER



**19** HEAD ADAPTER



**18** REINFORCEMENT  
Alum.

Documents Prepared By:  
Lyndon F. Schmidt  
P.E. No. 43409

**RW** BUILDING CONSULTANTS, INC.  
P.O. Box 230, Valrico, FL 33595  
Phone No.: 813.659.9197  
FBPE Registry No. 9813

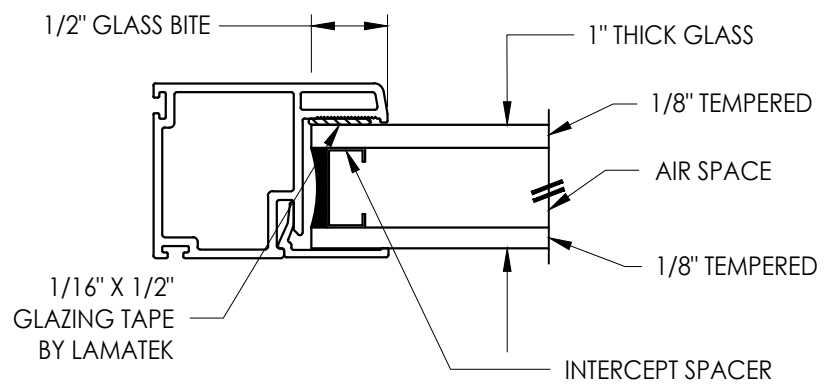
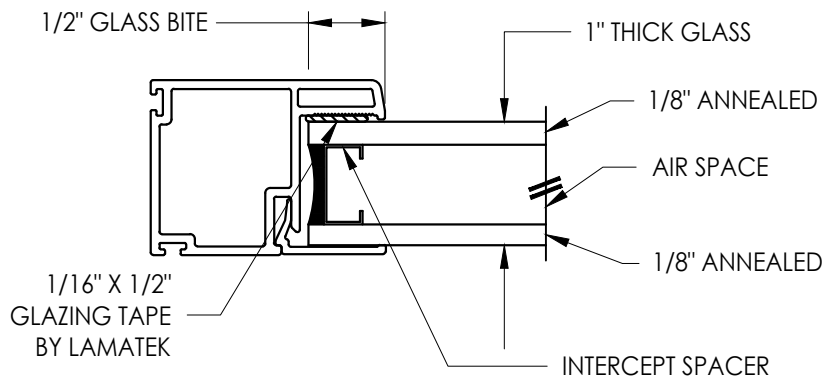
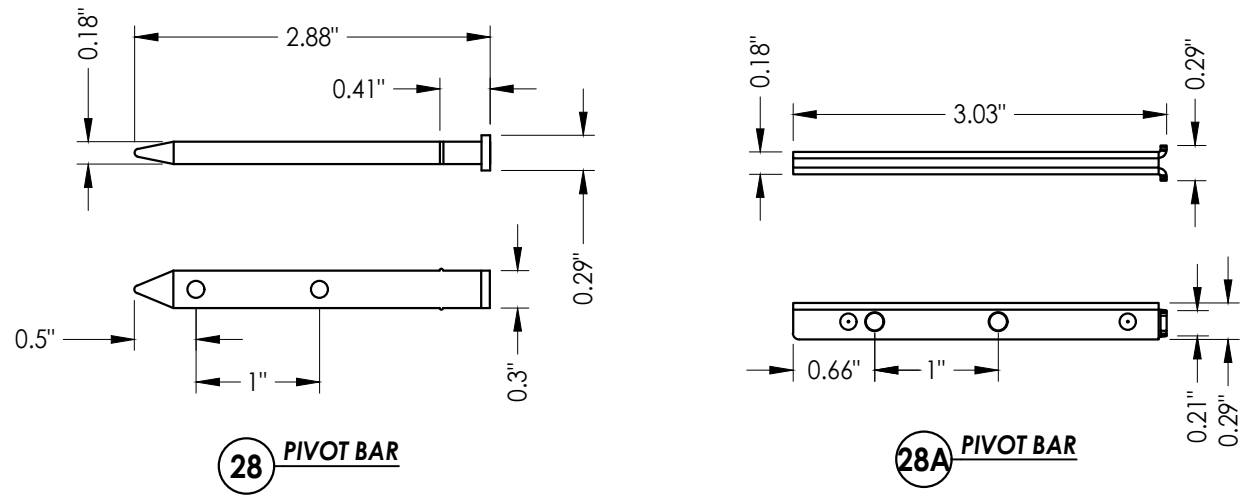
PRODUCT: 8400 SERIES Vinyl Double Hung Window  
PART OR ASSEMBLY: COMPONENTS

NO.	DATE	REVISIONS
5	7/06/23	UPDATE TO 8TH ED. (2023) FBC LFS
4	7/02/20	UPDATE TO 7TH ED. (2020) FBC LFS
3	6/01/17	UPDATE TO 6TH ED. (2017) FBC LFS
2	1/27/15	UPDATE TO 5TH ED. (2014) FBC LFS
1	4/02/13	UPDATE FRAME SIZE/DP/GLZ LFS

DATE: 8/2/12  
SCALE: N.T.S.  
DWG. BY: JK  
CHK. BY: LFS  
DRAWING NO.: FL-15819.1  
SHEET 5 OF 6

BILL OF MATERIALS		
ITEM #	DESCRIPTION	MATERIAL
A	1X BUCK (SG >= 0.42)	WOOD
B	2X BUCK (SG >= 0.42)	WOOD
C	1/4" MAX. SHIM SPACE	-
D	1/4" X 2-3/4" PFH DeWALT OR ITW CONCRETE SCREW	-
E	MASONRY - 3,000 PSI MIN. CONCRETE CONFORMING TO ACI 301 OR HOLLOW BLOCK CONFORMING TO ASTM C90	CONCRETE
F	#8 X 1-3/4" PPH WOOD SCREW (1-3/16" MIN. EMBEDMENT)	STEEL
G	#8 X 2" PFH WOOD SCREW (1-3/16" MIN. EMBEDMENT)	STEEL
J	1/4" X 2-1/4" PFH DeWALT OR ITW CONCRETE SCREW	STEEL
K	1/4" X 3-1/4" PFH DeWALT OR ITW CONCRETE SCREW	STEEL
1	FRAME JAMB*	PVC
2	SILL*	PVC
3	FRAME HEAD*	PVC
5	SASH STILE*	PVC
6	GLAZING BEAD*	PVC
7	KEEPER RAIL UPPER SASH*	PVC
8	REINFORCEMENT (6005-T5)	ALUM
9	LOCK RAIL LOWER SASH*	PVC
11	TOP RAIL UPPER SASH*	PVC
12	BOTTOM RAIL LOWER SASH*	PVC
14	SILL DAM EXTENDER*	PVC
16	WEATHERSTRIP ULTRA FAB .270 PILE - 270 -1875B	-
17	WEATHERSTRIP SILLBULB (AMESBURY 32690)	-
18	REINFORCEMENT (6005-T5)	ALUM
19	HEAD ADAPTER*	PVC
20	LOCK 8513 / 8845 LAWRENCE*	PVC
21	KEEPER 2700/214 LAWRENCE*	PVC
23	#6 X 1-1/2" PFH (VINYL LOCK SCREWS)	STEEL
24	TOP SASH TILT LATCH - ASHLAND*	PVC
25	BOTTOM SASH IMPACT TILT LATCH - ASHLAND	-
26	#8 X 1" PFH TEK SCREW	STEEL
28	PIVOT BAR - CALDWELL	-
28A	PIVOT BAR - STAINLESS STEEL OPTION	-
29	#8 X 1/2" SELF TAPPING PPH SMS	STEEL

\* THE APPROVED WHITE RIGID PVC EXTERIOR EXTRUSIONS FOR WINDOWS ARE TO BE PRODUCED BY EXTRUDERS LICENSEES IN "AAMA CERTIFICATION PROGRAMS FOR RIGID PVC EXTRUSIONS".



Documents Prepared By:  
Lyndon F. Schmidt  
P.E. No. 43409

**RW** BUILDING CONSULTANTS, INC.  
P.O. Box 230, Vairico, FL 33595  
Phone No.: 813.659.9197  
FBPE Registry No. 9813

PRODUCT: 8400 SERIES Vinyl Double Hung Window  
PART OR ASSEMBLY: BILL OF MATERIALS COMPONENTS & GLAZING DETAILS

NO.	DATE	REVISIONS
5	7/06/23	UPDATE TO 8TH ED. (2023) FBC LFS
4	7/02/20	UPDATE TO 7TH ED. (2020) FBC LFS
3	6/01/17	UPDATE TO 6TH ED. (2017) FBC LFS
2	1/27/15	UPDATE TO 5TH ED. (2014) FBC LFS
1	4/02/13	UPDATE FRAME SIZE/DP/GLZ LFS

DATE: 8/2/12  
SCALE: N.T.S.  
DWG. BY: JK  
CHK. BY: LFS  
DRAWING NO.: FL-15819.1  
SHEET 6 OF 6